



TECH SPECS

Quick-Check Basket Filter

QKCHK-075



3/4"

QKCHK-100



1"

PRB-QKCHK-100



1" Pressure Regulating

Rain Bird offers a family of filtration products to meet a wide variety of needs. The newest addition to the line is the Pressure Regulating, Quick-Check Basket Filter which has a 40 psi pressure regulator built-in. This filter can be used in both residential and light commercial applications.

Quick-Check Basket Filter

Reduce hours of maintenance time by installing this innovative filter that tells you when it needs to be cleaned. During regular operation, the Quick-Check indicator bubble remains a vibrant green. When debris accumulates to a level where significant pressure loss occurs, the indicator bubble switches to bright red and the filter needs to be cleaned.

Benefits

- **Reduces Ongoing Maintenance Cost** – Save labor time with the simple-to-check indicator bubble. The indicator bubble helps to ensure the filter will be cleaned when needed.
- **Easy Maintenance** – The indicator bubble and cap offer “jar top” convenience for easy access and high visibility. The filter’s recessed basket design allows for easy access to the filter element and prevents debris from entering the line during cleaning.
- **Improves System Reliability** – The Basket Filter body is made from impact resistant glass-filled polypropylene, the cap is made of glass-filled nylon with a UV tested

polyurethane indicator window and the filter elements are all stainless steel.

Features

- A clear indicator top that goes from green to red when the filter is full, telling you when to clean the filter. This reduces maintenance and takes the guess work out of cleaning the filter.
- Threaded top makes it easy to remove and clean the stainless steel element
- “No Spill” feature ensures that the dirt and debris does not fall out of the basket filter element when you remove it for cleaning.
- Rugged design incorporates four Buna N o-rings for leak-free performance and is rated up to 150 psi.

Additional Features

Pressure Regulating, Quick-Check Basket Filter

- **Efficient Design** – Combines filtration and pressure regulation in one compact unit.
- **Increases Reliability** – Fewer connection points means less chance of leaking.
- **Reduces Costs** – Combined parts mean less assembly time, and compact size means smaller valve boxes.

Models

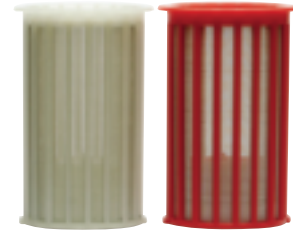
- QKCHK-075 (3/4" Inlet/Outlet)
- QKCHK-100 (1" Inlet/Outlet)
- PRB-QKCHK-100 (1" Inlet/Outlet; Pressure Regulating)

Quick-Check Filter





Replacement Stainless Steel Screen Elements



QCKCHK-200M QCKCHK-100M

Stainless Steel Screen Elements

The _____ mesh stainless steel screen element shall be used inside the Pressure-Regulating, Quick-Check Basket Filter and shall be constructed of stainless steel welded to a color-coded, glass-filled polypropylene frame. The screen element shall be used in the 1" model and match the filtration requirements of the emission device or sprinkler. Screen mesh sizes shall be designated by the following color code: red – 100 and natural – 200 mesh. The stainless steel screen element shall be supplied by Rain Bird Sprinkler Mfg Corporation, Azusa, California.

Filter Elements

- QKCHK-100M (100 mesh / 150 micron, red housing)
- QKCHK-200M (200 mesh / 75 micron, white housing)

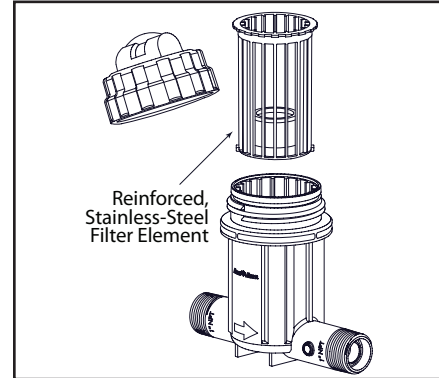
How to Specify/Order

Basket Filter Elements

QKCHK-100M

Model
Quick-Check Filter

Size
100M: 100 Mesh
200M: 200 Mesh



Stainless Steel Screen Element Dimensions (Inches)

Filter Size	Diameter	Height	Area of Filtration (in ²)
3/4"	2.5"	4"	16.26"
1"	2.5"	4"	16.26"

Stainless Steel Screen Element Dimensions (Metric)

Filter Size	Diameter	Height	Area of Filtration (in ²)
1,91 cm	3,35 cm	10,16 cm	41,30 cm
2,54 cm	3,35 cm	10,16 cm	41,30 cm

Rain Bird Corporation

Contractor Division
970 West Sierra Madre Avenue, Azusa, CA 91702
Phone: (626) 963-9311 Fax: (626) 812-3411

Rain Bird Corporation

Commercial Division
6991 E. Southpoint Road, Tuscon, AZ 85756
Phone: (520) 741-6100 Fax: (520) 741-6146

Rain Bird International, Inc.

970 West Sierra Madre Avenue, Azusa, CA 91702
Phone: (626) 963-9311 Fax: (626)963-4287

Rain Bird Technical Services

(800) 247-3782 (U.S. only)

Specification Hotline

800-458-3005 (U.S. and Canada)

www.rainbird.com

The Intelligent Use of Water™ – Visit www.rainbird.com to learn about our efforts



Quick Check Basket Filters



QKCHK-075 (3/4")



QKCHK-100 (1")

Specifications

The ___" Quick Check Basket Filter shall provide for continuous filtration of the drip zone when the Quick Check Basket Filter is connected to a valve and any 24-VAC controller or Rain Bird battery-operated controller. The Quick Check Basket Filter shall be pressure rated to 150 psi to permit installation downstream of the control valve(s).

For optimum filtration and system performance, the Quick Check Basket Filter shall incorporate a stainless steel screen element with a basket design to capture debris and prevent the debris from falling into the downstream line during routine maintenance. The screen element shall be reinforced with polypropylene ribs to increase durability and the screen element shall be color-coded for easy identification of mesh size. The body of the unit shall be constructed of impact resistant glass-filled polypropylene and the cap of glass-filled nylon with a UV resistant polyurethane indicator window. The unit shall incorporate an indicator window that shows when the filter needs to be cleaned. The Quick Check Basket Filter and Stainless Steel Screen Element shall be manufactured by Rain Bird Sprinkler Mfg Corporation, Glendora, California.

Operating Range

Flow

- 3/4" Basket Filter: 0.20 to 12.0 GPM (45,4 to 2725 l/h)
- 1" Basket Filter: 3.0 to 20.0 GPM (681 to 4542 l/h)

Pressure

15-150 psi (1,0 to 10,3 bar)

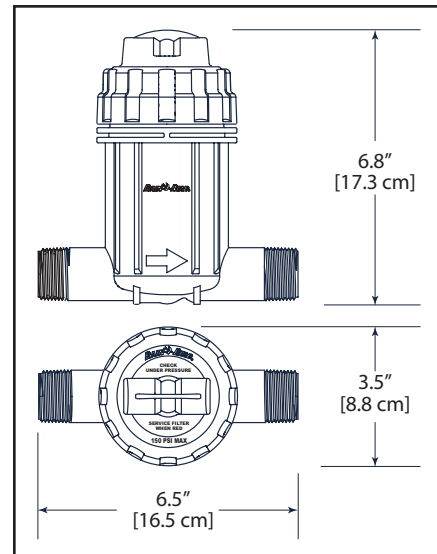
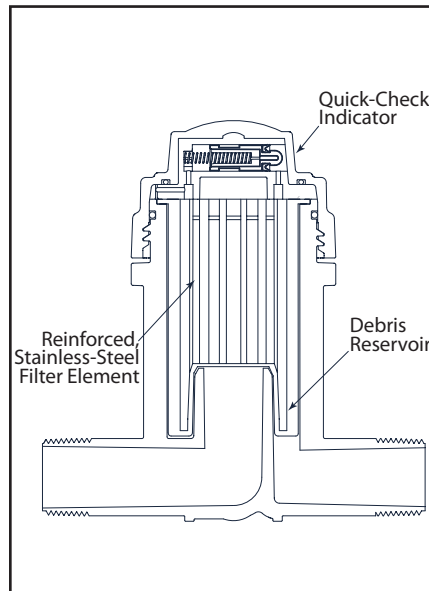
Temperature

Up to 150° F (66° C)

Pressure Loss Characteristics

QKCHK-075			
Flow Rate (gpm)	200 Mesh (psi)	Flow Rate (l/m)	75 micron bar
0.2	0.4	0.75	0,03
2.0	0.5	7.5	0,03
4.0	0.7	15.1	0,05
6.0	0.9	22.7	0,06
8.0	1.1	30.3	0,08
10.0	1.5	37.9	0,10
12.0	1.9	45.4	0,13

QKCHK-100			
Flow Rate (gpm)	200 Mesh (psi)	Flow Rate (l/m)	75 micron bar
3.0	0.2	11.4	0,01
5.0	0.3	18.9	0,02
7.0	0.6	26.5	0,04
9.0	0.9	34.1	0,06
11.0	1.2	41.6	0,08
14.0	2.1	53.0	0,14
17.0	3.1	64.4	0,21
20.0	4.4	75.7	0,23



How to Specify/Order

Quick Check Basket Filter

QKCHK-075

Model
Quick-Check
QKCHK

Size
075 = 3/4" Inlet/Outlet
100 = 1" Inlet/Outlet

Dimensions

Length: 6.5 in [16.5 cm]
Width: 3.5 in [8.8 cm]
Height: 6.8 in [17.3 cm]



Pressure Regulated Basket Filter



PRB-QKCHK-100 (1")

Specifications

The _____" Pressure Regulating, Quick-Check Basket Filter shall provide for continuous filtration and pressure regulation of the drip zone when the PR Filter is connected to a valve and any 24-VAC controller or Rain Bird battery-operated Controller. The PR Filter shall be pressure rated to 150 psi (10,3 bar) and be capable of flow rates of 3.0 gpm to 20.0 gpm (11,4 to 75,7 l/m).

For optimum filtration and system performance the Pressure Regulating, Quick-Check Basket Filter shall incorporate a stainless steel screen element and a built-in 40 psi (2,8 bar) pressure regulator. The stainless steel screen element will be a basket design to capture debris and prevent the debris from falling into the downstream line during routine maintenance. The screen element shall be reinforced with polypropylene ribs to increase durability and the screen element shall be color-coded for easy identification of mesh size. The body of the unit shall be constructed of impact resistant glass-filled polypropylene and the cap of glass-filled nylon with a UV resistant polyurethane indicator window. The unit shall incorporate an indicator window that shows when the filter needs to be cleaned. The Pressure Regulating, Quick-Check Basket filter and Stainless Steel Screen Element shall be manufactured by Rain Bird Sprinkler Mfg Corporation, Glendora, California.

Operating Range

Flow

- 1" Basket Filter: 3.0 to 20.0 GPM (681 to 4542 l/h)

Pressure

15-150 psi (1,0 to 10,3 bar)

Temperature

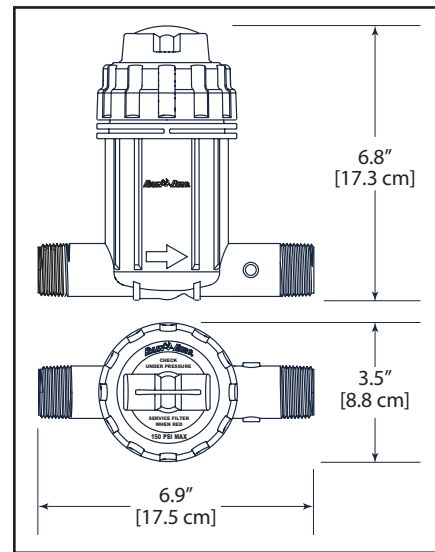
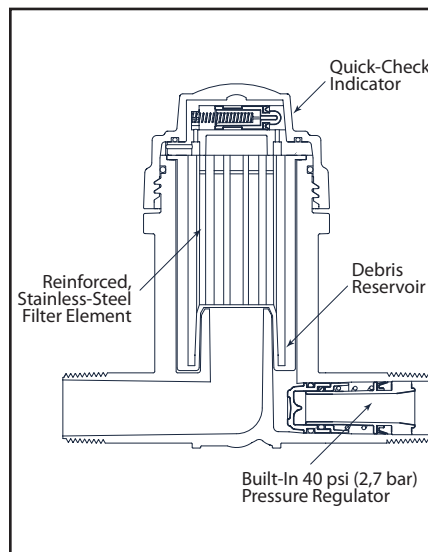
Up to 150° F (66° C)

Pressure Regulated Basket Filter

Flow (gpm)	Minimum Inlet for Regulated Outlet Pressure (psi)
3.0	40.0
5.0	40.0
10.0	42.6
15.0	48.2
20.0	56.4

PR Basket Filter Metric

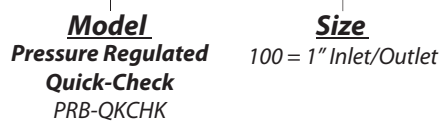
Flow (L/m)	Minimum Inlet for Regulated Outlet Pressure (bar)
11,4	2,8
18,9	2,8
37,9	2,9
56,8	3,3
75,7	3,9



How to Specify/Order

Pressure Regulated Basket Filter

PRB-QKCHK-100



Dimensions

- Length: 6.9 in [17.5 cm]
- Width: 3.5 in [8.8 cm]
- Height: 6.8 in [17.3 cm]